

COIN COLLECTORS — PREPAY

230, 233 (C, D, G, H)

220, 223 (CT, DT, GT, HT)

191, 195, 196, 197 (CNT, DNT, GNT, HNT)

COMMON BATTERY — CONNECTIONS

Note 1: Dotted lines in diagram show manual set connections.

Note 2: New manufactured sets are wired as drawn. On converted 190 series sets, if the BR lead does not reach the BKX terminal, it is terminated on a BK terminal and a black strap connects BK and BKX.

Note 3: When a 61R filter is required for radio frequency suppression, move yellow dial lead from Y upper housing contact spring to filter bracket terminal and connect filter leads as follows:

Yellow lead to filter bracket terminal

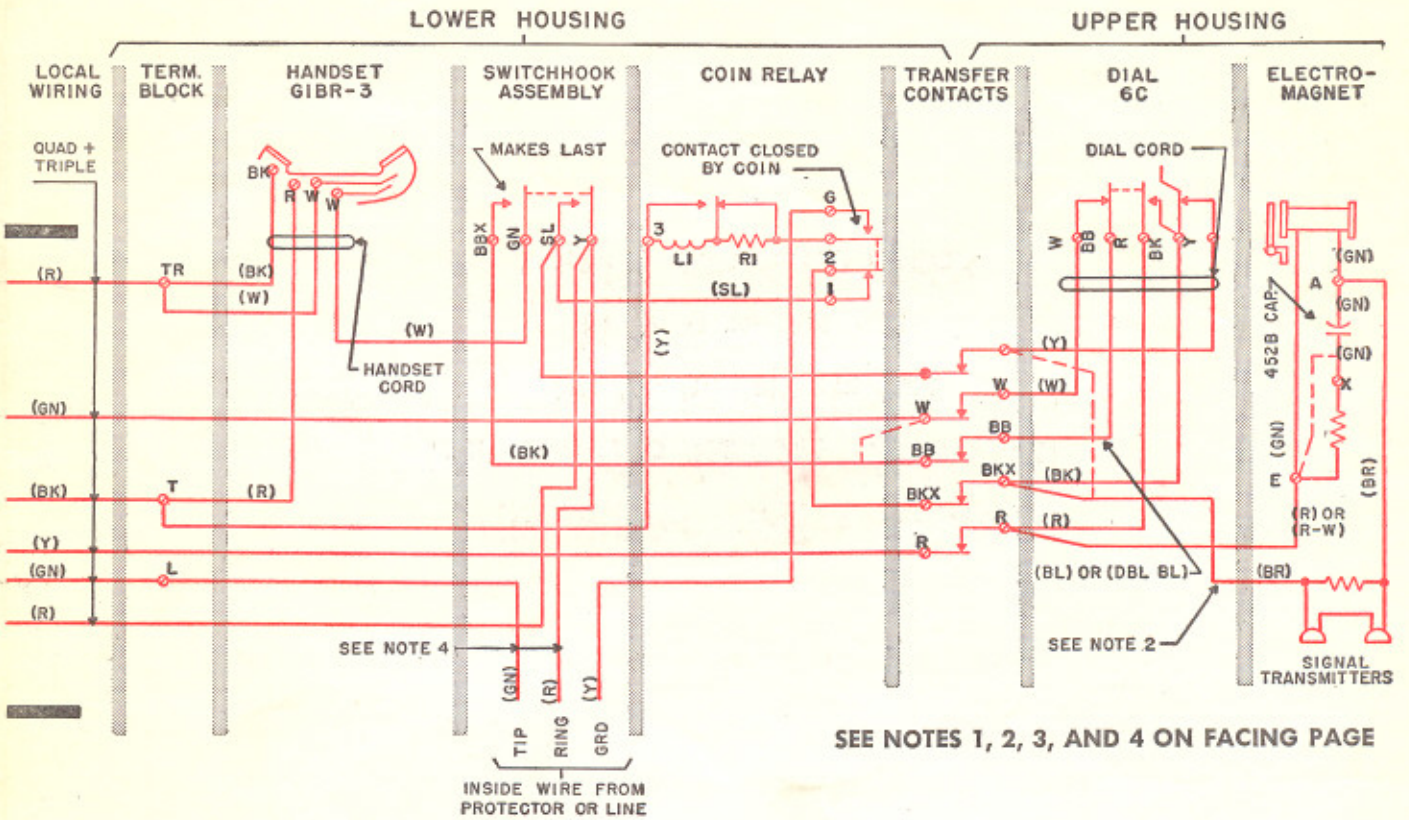
Black lead to BK or BKX upper housing contact

Red lead to Y upper housing contact

Note 4: When coin collector is installed in a KS-14611, List 2 booth or a KS-16705 mounting, the tip and ring line terminations are connected directly to the subscriber set.

Note 5: New manufactured sets are wired as shown in 1.00. To rearrange for use with 685B subscriber set, disconnect yellow strap between T terminal and coin relay. Tape ends and turn back for future use.

1.00 Circuit diagram for connection with 685A network-type subscriber set.



2.00 Circuit diagram for connection with 685B network-type subscriber set.

