

## PACKAGING AND HANDLING

### DISCONNECTED 2-TYPE TELEPHONE ANSWERING SETS

#### 1.00 GENERAL

This section describes certain procedures to be followed when returning 2-type telephone answering sets to Western Electric Company.

#### 2.00 REMOVAL AND PREPARATION FOR TRANSIT

- Use head-lock spring to secure announcement head in locked position (Fig. 1).
- Secure carriage slide rod bracket to center drum support. Use cord or lacing twine

and place the carriage in the extreme left-hand position (Fig. 1).

- Replace and fasten the cover of the answering set securely with setscrews in rear corners of base.
- Place answering set in the approved cardboard container per Fig. 2.



*Absolutely nothing else should be put in the carton with the answering set. Scrap or other material of any sort should be transported separately.*

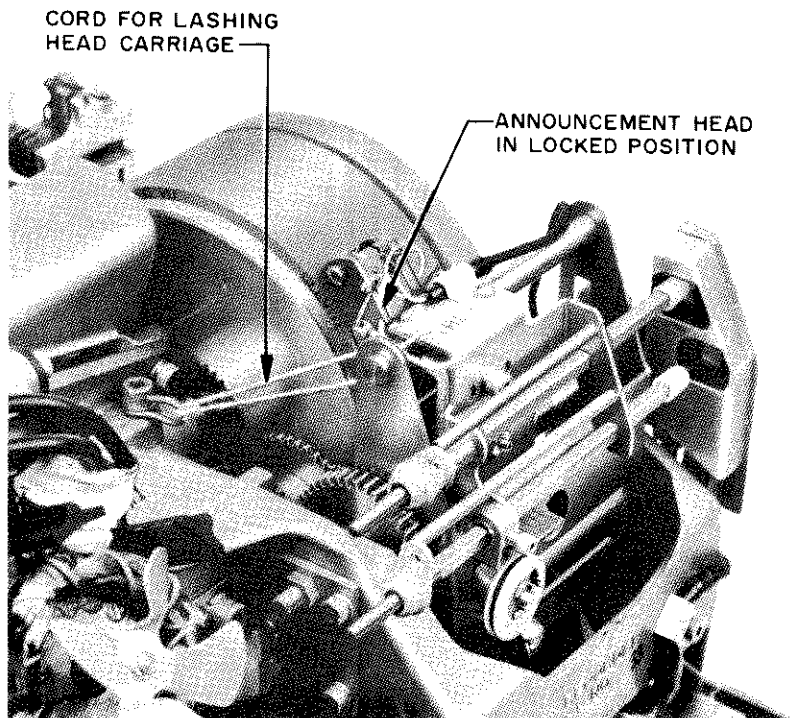


Fig. 1 — Securing Answering Set for Transit

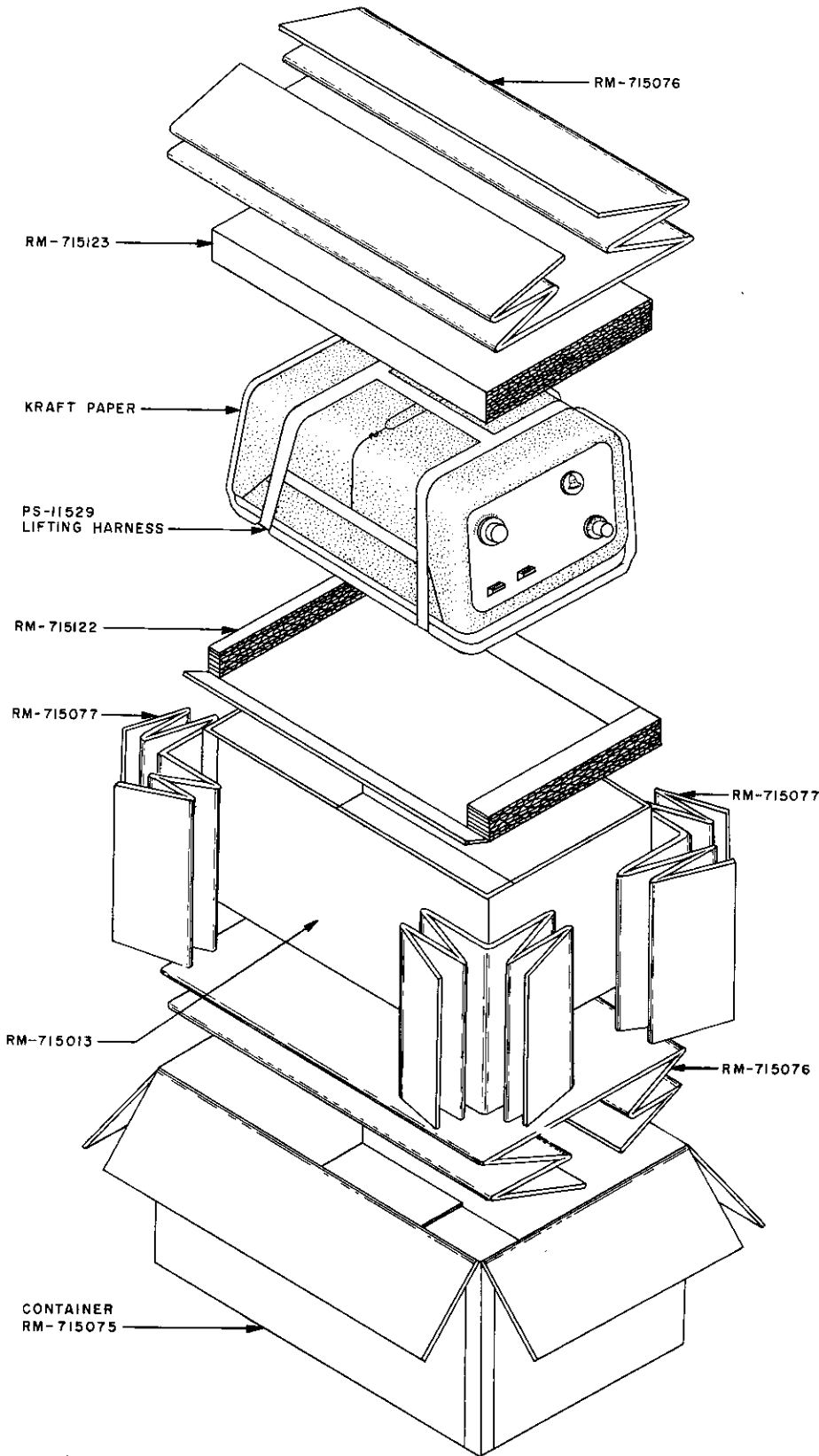


Fig. 2 - Approved Cardboard Container