

SPECIAL CONNECTIONS FOR TELEPHONE SETS AND SUBSCRIBER SETS
USING 3-ELEMENT ELECTRON TUBES IN RINGING CIRCUIT

1.00 INTRODUCTION

This section is issued:

- To give 3-element tube connections at negative ring and tip parties of 4-party full selective and 8-party semiselective lines in step-by-step offices with Automatic Number Identification (ANI).

2.00 GENERAL

2.01 Connect R lead from 426A tube to L1 on all negative ring and tip parties at 4- and 8-party stations. This bridges the control gap of the tube across the line and prevents bell tap and possible false test for tip party.

2.02 Fig. 1 shows these tube connections using the 556-type telephone set as an example.

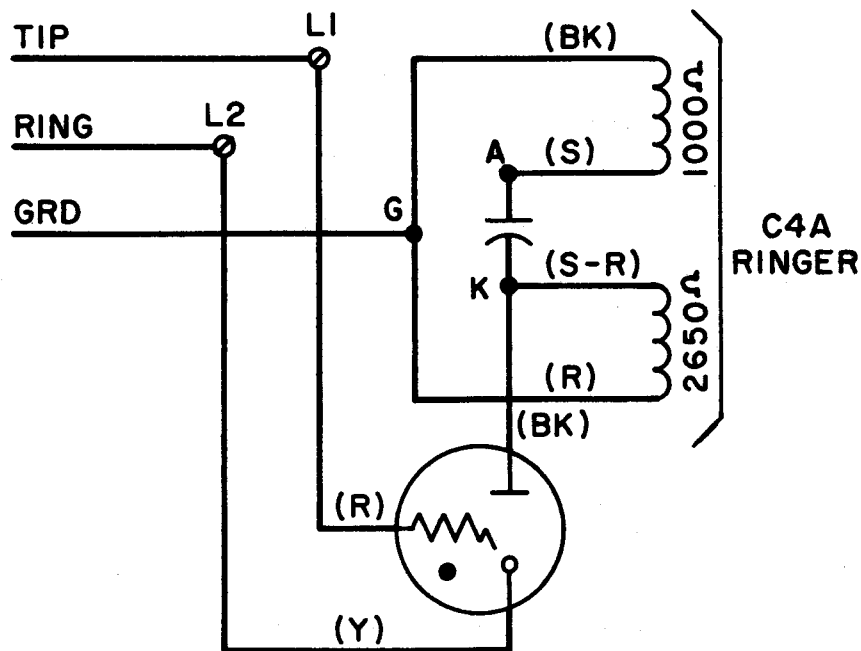


Fig. 1 - Tube Connections for 556-Type Telephone Set at Negative Ring Station

SECTION 500-115-400

2.03 The connection information given here will be included in the following sections when they are reissued.

- 502-200-401 Subscriber Sets - 634AT - Common Battery - Induction Coil Type - Connections
- 502-200-406 Subscriber Sets - 686A - Common Battery - Network Type - Connections
- 502-210-401 Subscriber Sets - Ringer and Relay Types - Polarized Ringing - 531C, 534DT, 592C, 687B - Common and Local Battery - Connections
- 510-110-405 Subscriber Sets - 634YT - Local Battery - Connections
- 510-110-403 Subscriber Sets - 634YDT - Local Battery - Connections
- 502-400-404 Telephone Sets - 306A, C, 5306C (Tube Sets) - Common Battery - Connections
- 502-400-406 Telephone Sets - 306G (Tube Set) - Common Battery - Connections
- 510-130-401 Telephone Sets - 309A, C - Local Battery - Connections
- 502-400-411 Telephone Sets - 356A, C (Tube Sets) - Common Battery - Connections
- 502-510-401 Telephone Sets - 500C, D and 501C, D - Common Battery - Connections
- 502-510-402 Telephone Sets - 500E, F and 501F - (Plunger Switch to Prevent Party-Line Interference) - Common Battery - Connections
- 502-510-403 Telephone Sets - 500H (Illuminated Dial) - Common Battery - Connections
- 502-510-406 Telephone Sets - 500P and 501P - (Illuminated Dial) - Common Battery - Connections
- 502-510-408 Telephone Sets - 500U and 501U - (Illuminated Dial and Night Light) - Common Battery - Connections
- 502-520-402 Telephone Sets - 532A, B and 533A, B - (Amplifier Sets for Impaired Hearing) - Common Battery - Connections
- 502-520-400 Telephone Sets - 507A, B; 509A, B; 557A, B; and 559A, B - (Amplifier Sets for Long Loops) - Common Battery - Connections
- 502-510-410 Telephone Sets - 554A, B and 556A, B - Common Battery - Connections
- 502-710-400 Telephone Sets - 701B - Connections
- 502-710-401 Telephone Sets - 701D - Connections
- 502-410-400 Telephone Sets - 300, 325 Types - Outdoor Locations - Connections